

OIL TANKS

THE BEST QUALITY OIL TANKS ON THE MARKET

STANDARD BRACKETS IN STAINLESS STEEL

BAFFLE PLATE

Baffle Plates are used to preserve stability

INNOVATIVE SUPPORTS

Allows Side and Rear Mounting

INNOVATIVE SUCTION LINE

Allows to use oil that is not coming hot from the hydraulic system

MATERIAL 2mm | 2,5mm THICK

PAINTED 2 COATS WITH BLACK FINISH

BREATHER/FILLER WITH INTEGRAL AIR FILTER

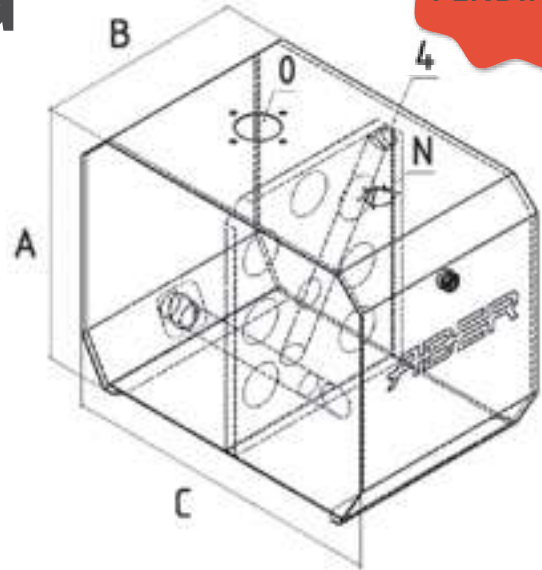
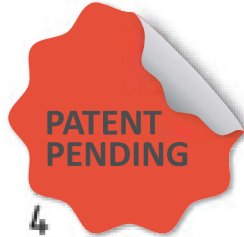
SEVERAL MOUNTING OPTIONS

TWO OIL RETURNS AVAILABLE

OIL TANKS

CAPACITY FROM 80 LITERS TO 250 LITERS

SIDE MOUNTING



CAPACITY LITERS	MATERIAL	A mm	B mm	C mm	SUCTION PIPE " BSP
80	FE - AL - IX	510	290	640	1" 1/2
100	FE - AL - IX	510	350	640	1" 1/2
130	FE - AL - IX	550	360	710	1" 1/2
160	FE - AL - IX	550	450	710	1" 1/2
200	FE - AL - IX	550	560	710	1" 1/2
201	AL	620	500	710	1" 1/2
250	FE - AL - IX	550	700	710	1" 1/2

ON REQUEST MANY OTHER CONFIGURATIONS AND VOLUMES CAN BE PRODUCED. FOR NON STANDARD DIMENSIONS PLEASE CONTACT US.

HOW TO ORDER

ON DARKER COLOR ARE THE USUALLY SELECTED OPTIONS

TSB + [] + [] + [] + [] + [] + [] + []

MODEL	STANDARD CAPACITY	MATERIAL	LEVEL INDICATOR	FILLER AND BREATHER	MOUNTING OPTIONS				SUPPORT	OPTIONALS	
TSB	80L	FE STEEL	R ROUND OIL LEVEL INDICATOR	N READY FOR FILLER CAP PLUG	0 READY FOR TANK TOP OIL RETURN FILTER OR FLANGE FOR VALVE	1 TANK TOP OIL RETURN FILTER SINGLE PORT	2 FLANGE TO PNEUMATIC DISTRIBUTOR AND OIL FILTER	3 FLANGE TO ELECTRICAL DISTRIBUTOR AND OIL FILTER	4 DIRECT OIL RETURN	S1 SIDE BELT SUPPORT	M MANOMETER FOR RETURN FILTER
	100L										
	130L	AL ALUMINIUM	L LONG OPTICAL OIL LEVEL INDICATOR	FB FILLER CAP BREATHER PLUG WITH INTEGRAL AIR FILTER							
	160L										
	200L	IX STAINLESS STEEL									
	250L										

WITH THE SAME SUPPORTS IS POSSIBLE TO USE AS SIDE OR REAR MOUNTING

EXAMPLE

TSB 160 FE L FB 1 S1 M

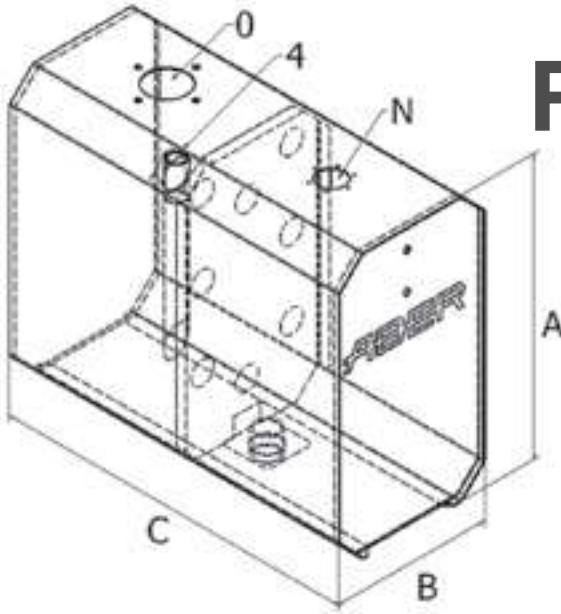
Tank with 160 liters, Side Mounting with Brackets, made in Steel, with Long Optical Oil Level, Filler Cap with Integral Air Filter, Tank Top Return Filter (Single), and Side Belt Support with manometer



OIL TANKS

CAPACITY FROM 100 LITERS TO 245 LITERS

REAR MOUNTING



CAPACITY LITERS	MATERIAL	A mm	B mm	C mm	SUCTION PIPE " BSP
100	FE - AL - IX	580	320	600	1" 1/2
120	FE - AL - IX	580	320	720	1" 1/2
140	FE - AL - IX	580	320	840	1" 1/2
170	FE - AL - IX	580	320	1000	1" 1/2
200	FE - AL - IX	580	320	1170	1" 1/2
245	FE - AL - IX	760	320	1000	1" 1/2

ON REQUEST MANY OTHER CONFIGURATIONS AND VOLUMES CAN BE PRODUCED, FOR NON STANDARD DIMENSIONS PLEASE CONTACT US.

HOW TO ORDER

ON DARKER COLOR ARE THE USUALLY SELECTED OPTIONS

TRB + [] + [] + [] + [] + [] + [] + []

MODEL	STANDARD CAPACITY	MATERIAL	LEVEL INDICATOR	FILLER AND BREATHER	MOUNTING OPTIONS	SUPPORT	OPTIONALS
TRB	100L	FE STEEL	R ROUND OIL LEVEL INDICATOR	N READY FOR FILLER CAP PLUG	0 READY FOR TANK TOP OIL RETURN FILTER OR FLANGE FOR VALVE	R1 REAR BELT SUPPORT	M MANOMETER FOR RETURN FILTER
	120L				1 TANK TOP OIL RETURN FILTER SINGLE PORT		
	140L	AL ALUMINIUM		FB FILLER CAP BREATHER PLUG WITH INTEGRAL AIR FILTER	2 FLANGE TO PNEUMATIC DISTRIBUTOR AND OIL FILTER	R2 SIDE BELT SUPPORT	
	170L		L LONG OPTICAL OIL LEVEL INDICATOR		3 FLANGE TO ELECTRICAL DISTRIBUTOR AND OIL FILTER		
	200L	IX STAINLESS STEEL			4 DIRECT OIL RETURN		
	245L				1A TANK TOP OIL RETURN FILTER DOUBLE PORT		

EXAMPLE
TSB 245 AL L FB 1 R1 M

Tank with 245 liters, Rear Mounting with Brackets, made in Aluminium, with Long Optical Oil Level, Filler Cap with Integral Air Filter, Tank Top Return Filter (Single), and Rear Belt Support with manometer

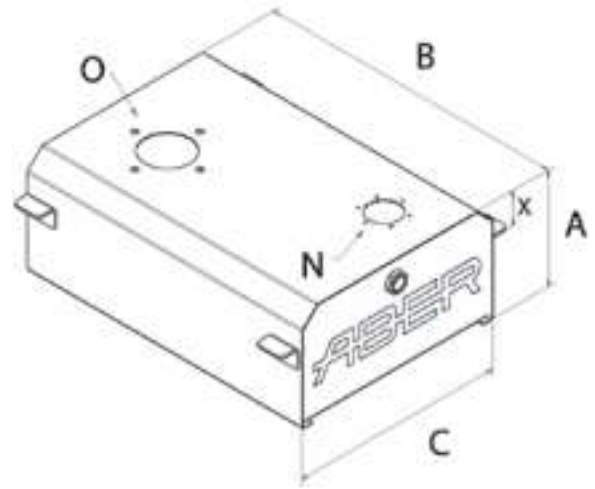


OIL TANKS

CAPACITY FROM 15 LITERS TO 80 LITERS

CHASSIS MOUNTING

CAPACITY LITERS	MATERIAL	A mm	B mm	C mm	X mm	SUCTION PIPE " BSP
15	FE - AL - IX	215	280	255	65	3/4"
20	FE - AL - IX	195	320	370	65	3/4"
35	FE - AL - IX	195	520	370	65	1"
45	FE - AL - IX	290	500	360	65	1" 1/4
60	FE - AL - IX	265	605	405	65	1" 1/4
80	FE - AL - IX	310	380	800	65	1" 1/4



ON REQUEST MANY OTHER CONFIGURATIONS AND VOLUMES CAN BE PRODUCED. FOR NON STANDARD DIMENSIONS PLEASE CONTACT US.

HOW TO ORDER

ON DARKER COLOR ARE THE USUALLY SELECTED OPTIONS

MODEL	STANDARD CAPACITY	MATERIAL	LEVEL INDICATOR	FILLER AND BREATHER	MOUNTING OPTIONS	OPTIONALS
TC	15L	FE STEEL	R ROUND OIL LEVEL INDICATOR	N READY FOR FILLER CAP PLUG	0 READY FOR TANK TOP OIL RETURN FILTER OR FLANGE FOR VALVE	M MANOMETER FOR RETURN FILTER
	20L				1 TANK TOP OIL RETURN FILTER SINGLE PORT	
	35L	AL ALUMINIUM		FB FILLER CAP BREATHER PLUG WITH INTEGRAL AIR FILTER	1A TANK TOP OIL RETURN FILTER DOUBLE PORT	
	45L		L LONG OPTICAL OIL LEVEL INDICATOR		2 FLANGE TO PNEUMATIC DISTRIBUTOR AND OIL FILTER	
	60L	IX STAINLESS STEEL			3 FLANGE TO ELECTRICAL DISTRIBUTOR AND OIL FILTER	
	80L				4 DIRECT OIL RETURN	

EXAMPLE

TC 35 FE R FB 1 M

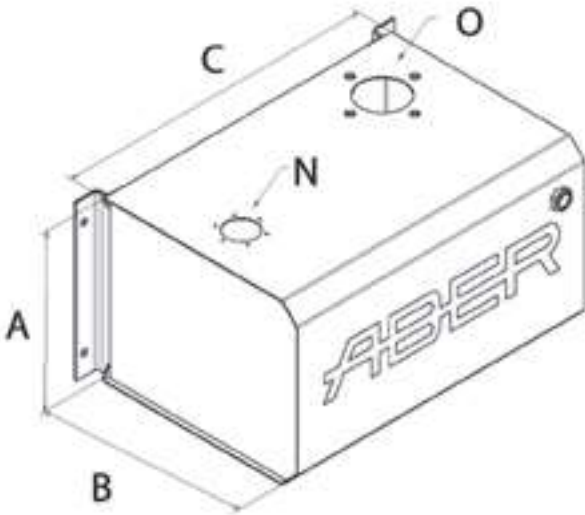
Tank with 35 liters, Chassis Mounting, made in Steel, with Round Oil Level, Filler Cap Breather Plug with Integral Air Filter, and Tank Top Return Filter (Single) with manometer



OIL TANKS

CAPACITY FROM 25 LITERS TO 80 LITERS

SIDE MOUNTING



CAPACITY LITERS	MATERIAL	A mm	B mm	C mm	SUCTION PIPE " BSP
25	FE - AL - IX	280	280	380	1"
30	FE - AL - IX	280	320	360	1"
35	FE - AL - IX	280	280	500	1"
60	FE - AL - IX	310	380	560	1" 1/4
80	FE - AL - IX	500	360	500	1" 1/4

ON REQUEST MANY OTHER CONFIGURATIONS AND VOLUMES CAN BE PRODUCED. FOR NON STANDARD DIMENSIONS PLEASE CONTACT US.

HOW TO ORDER

ON DARKER COLOR ARE THE USUALLY SELECTED OPTIONS

TS										
MODEL	STANDARD CAPACITY	MATERIAL	LEVEL INDICATOR	FILLER AND BREATHER	MOUNTING OPTIONS			OPTIONALS		
TS	25L	FE STEEL	R ROUND OIL LEVEL INDICATOR	N READY FOR FILLER CAP PLUG	0 READY FOR TANK TOP OIL RETURN FILTER OR FLANGE FOR VALVE	1 TANK TOP OIL RETURN FILTER SINGLE PORT	2 FLANGE TO PNEUMATIC DISTRIBUTOR AND OIL FILTER	3 FLANGE TO ELECTRICAL DISTRIBUTOR AND OIL FILTER	4 DIRECT OIL RETURN	M MANOMETER FOR RETURN FILTER
	30L									
	35L	AL ALUMINIUM		FB FILLER CAP BREATHING PLUG WITH INTEGRAL AIR FILTER						
	60L		L LONG OPTICAL OIL LEVEL INDICATOR							
	80L	IX STAINLESS STEEL								

EXAMPLE

TS 30 FE L FB 1 M

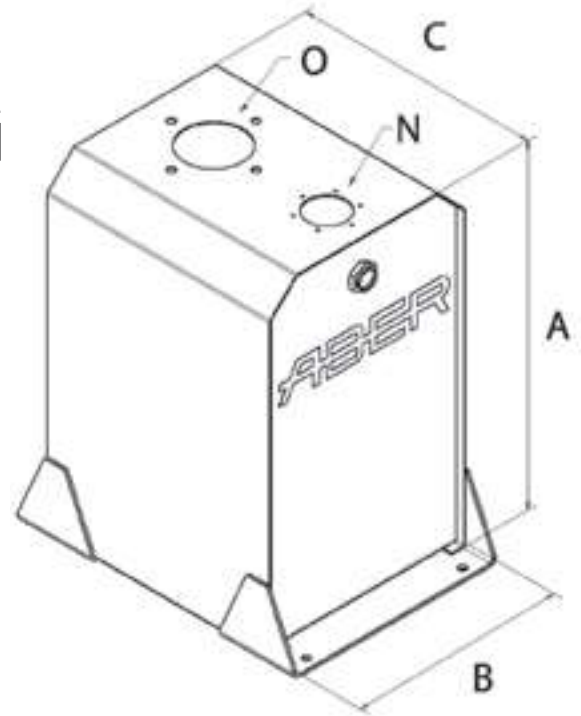
Tank with 30 liters, Side Mounting, made in Steel, with Long Optical Oil Level, Filler Cap with Integral Air Filter, Tank Top Return Filter (Single) with manometer



OIL TANKS

CAPACITY FROM 10 LITERS TO 80 LITERS

REAR MOUNTING



CAPACITY LITERS	MATERIAL	A mm	B mm	C mm	SUCTION PIPE " BSP
20	FE - AL - IX	265	220	450	1"
40	FE - AL - IX	475	290	330	1"
60	FE - AL - IX	475	290	490	1" 1/4
80	FE - AL - IX	475	290	650	1" 1/2
100	FE - AL - IX	645	290	585	1" 1/2

ON REQUEST MANY OTHER CONFIGURATIONS AND VOLUMES CAN BE PRODUCED. FOR NON STANDARD DIMENSIONS PLEASE CONTACT US.

HOW TO ORDER

ON DARKER COLOR ARE THE USUALLY SELECTED OPTIONS

TR + [] + [] + [] + [] + [] + []

MODEL	STANDARD CAPACITY	MATERIAL	LEVEL INDICATOR	FILLER AND BREATHER	MOUNTING OPTIONS	OPTIONALS
TR	20L	FE STEEL	R ROUND OIL LEVEL INDICATOR	N READY FOR FILLER CAP PLUG	0 READY FOR TANK TOP OIL RETURN FILTER OR FLANGE FOR VALVE	M MANOMETER FOR RETURN FILTER
	40L			FB FILLER CAP BREATHER PLUG WITH INTEGRAL AIR FILTER	1 TANK TOP OIL RETURN FILTER SINGLE PORT	
	60L	AL ALUMINIUM	L LONG OPTICAL OIL LEVEL INDICATOR		1A TANK TOP OIL RETURN FILTER DOUBLE PORT	
	80L				2 FLANGE TO PNEUMATIC DISTRIBUTOR AND OIL FILTER	
	100L	IX STAINLESS STEEL			3 FLANGE TO ELECTRICAL DISTRIBUTOR AND OIL FILTER	
					4 DIRECT OIL RETURN	

EXAMPLE

TR 40 FE L FB 1 M

Tank with 40 liters, Rear Mounting, made in Steel, with Long Optical Oil Level, Filler Cap with Integral Air Filter, Tank Top Return Filter (Single) with manometer

