

caproni
hydraulic components & systems
Stoletov St. Kazanlak
BULGARIA

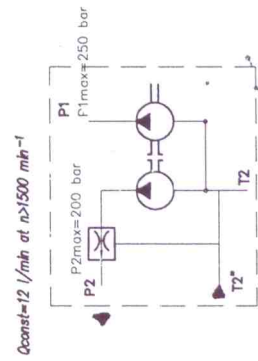
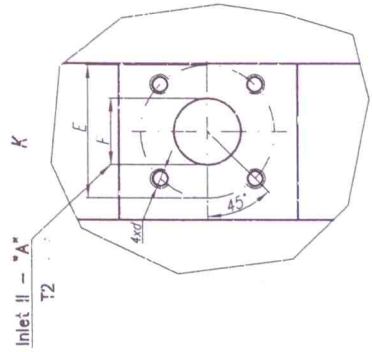
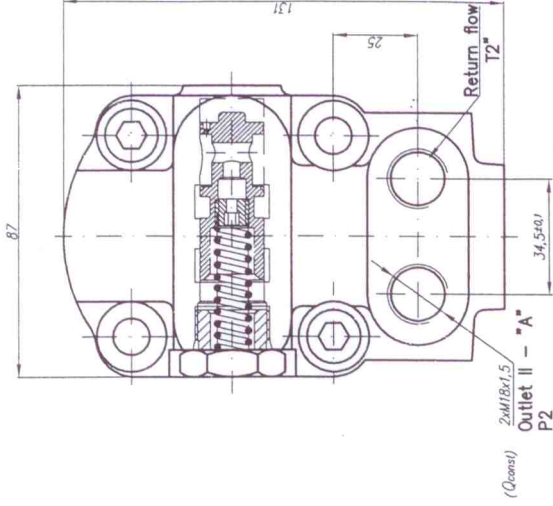
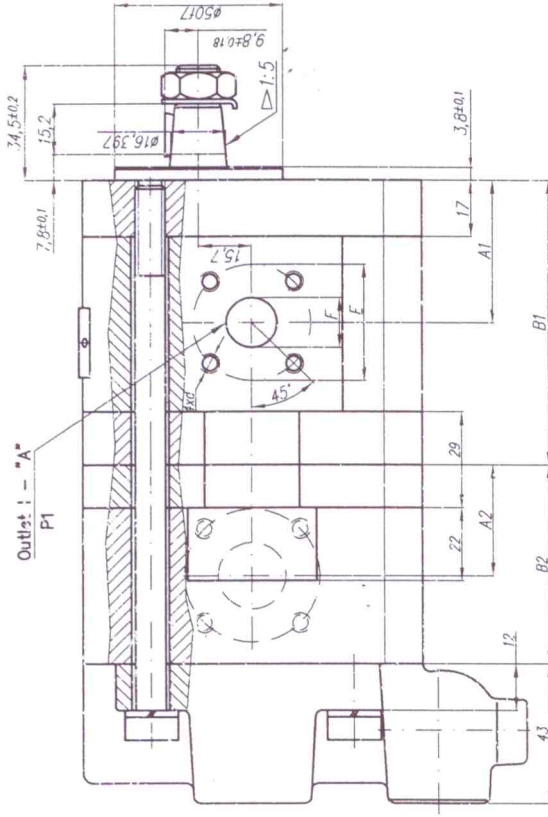
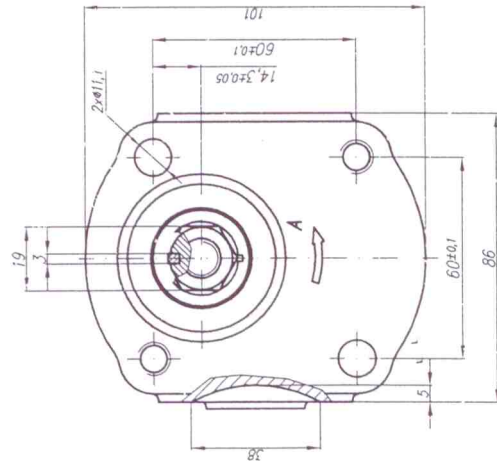
fax: +359 431/62 230
telex: 088 508
tel: +359 431/ 62 227
62 229

P021007D

HYDRAULIC PUMPS
HYDRAULISCHE ZAHNRADPUMPEN
ШЕСТЕРЕННЫЕ НАСОСЫ

GR. 22
200 bar

113
22A8,2/8,2X652-12SBAW



Pump type	Displacement		Pressure [bar]	RPM [min ⁻¹]	Qconst l/mh	Dimensions, mm											
	I	II				Outlet I		Inlet II		Outlet II							
						E	F	d	ε	F	d	D1	D2				
22A8,2/A8,2/652-12SBAW <i>113</i>	8.2	8.2	200	650...3500	12	43	33.5	85.9	60.1	35	15	M6-6H	40	20	M6-6H	M18x1.5	M18x1.5