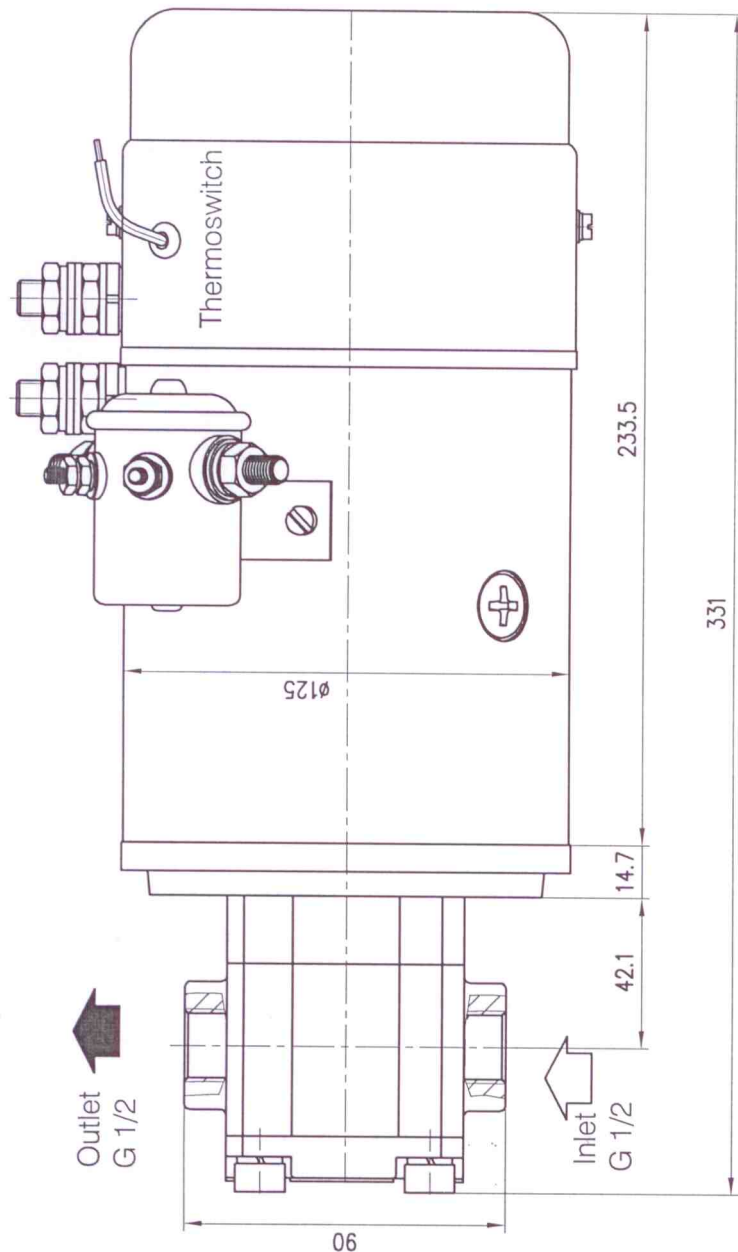
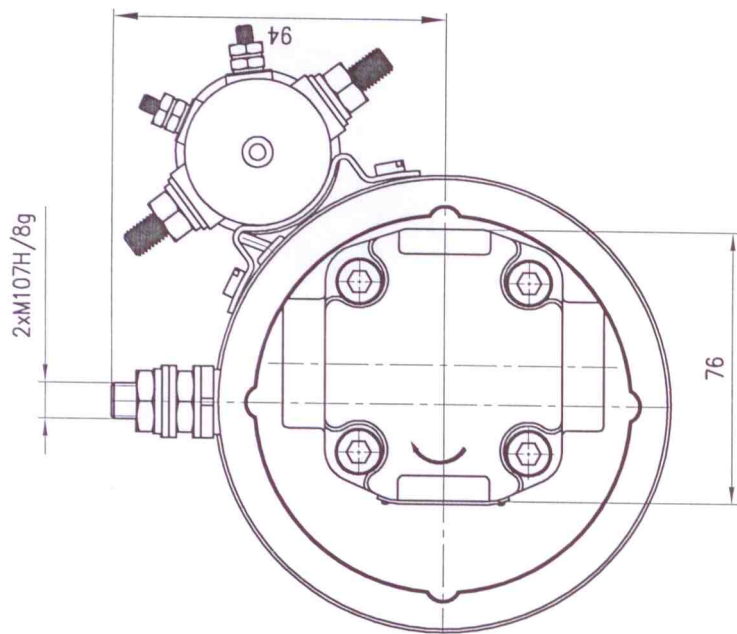


MOTOR - PUMP
DCM 3/2.4/35-01-V - 10A2X001G



MOTOR

DCM 3/2.4/35-01-V
Rated Power 3 kW
Rated Voltage 24 V
Rated speed 3500 rpm
Operation mode S2 - 10 min

PUMP

10A2X001G
Displacement 2cc
Max pressure 210 bar
Flow ~6.7 L/min



JOINT-STOCK COMPANY
HYDRAULIC COMPONENTS AND SYSTEMS
E-mail: caproni@caproni.bg WEB: www.caproni.bg

6100 Kazanlak, BULGARIA, 45, General Stolev Str.
Tel: +359 /431/62 229; 6132
Fax: +359 /431/62 230; +359 /431/ 63 134