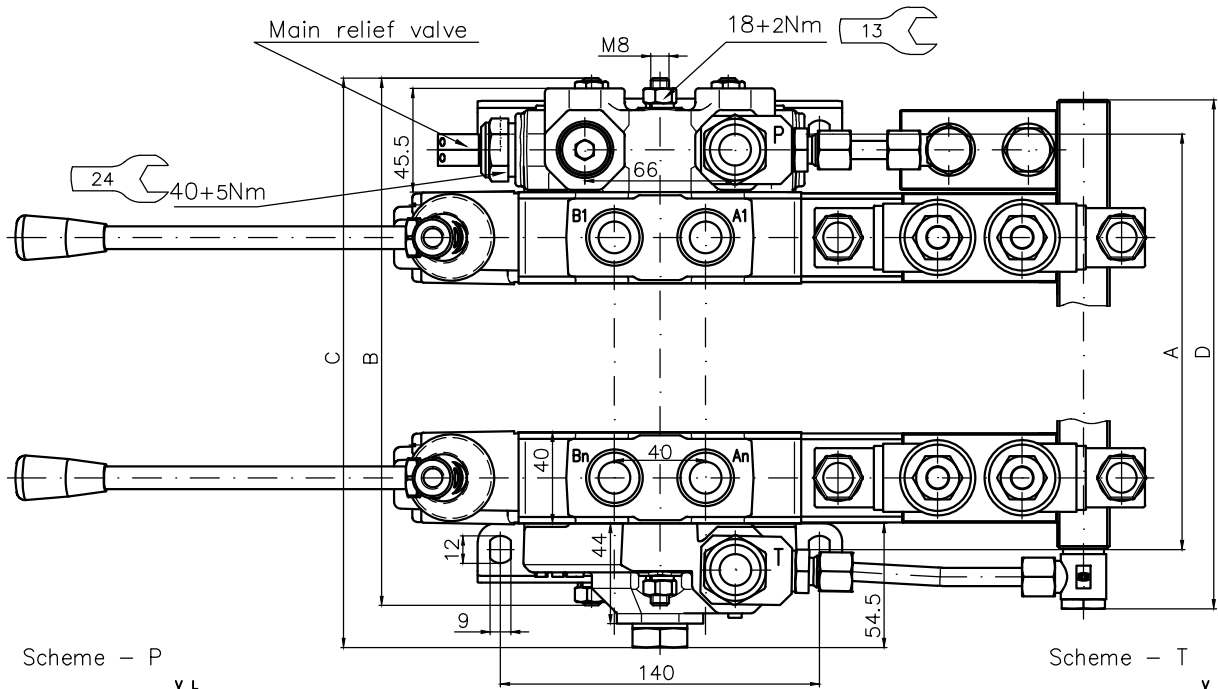
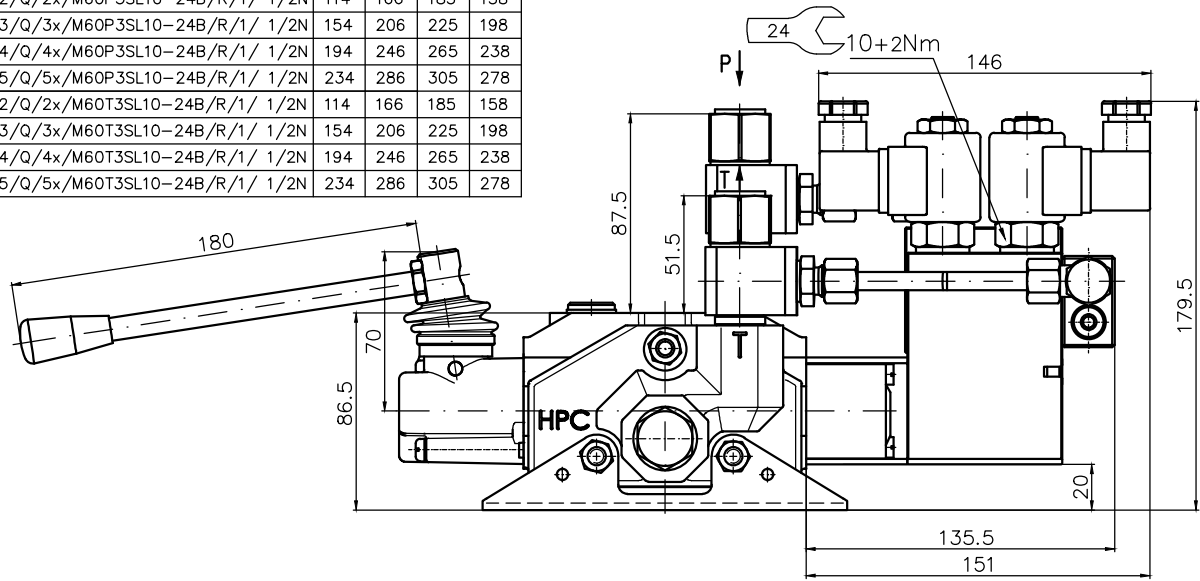
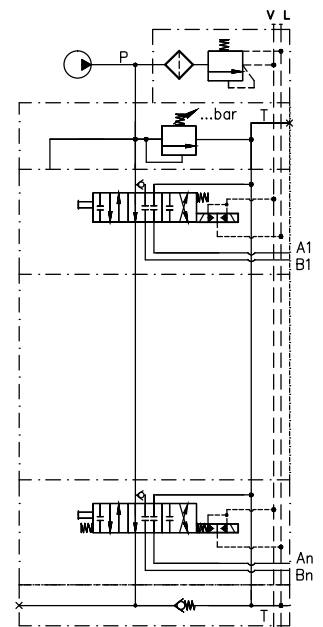
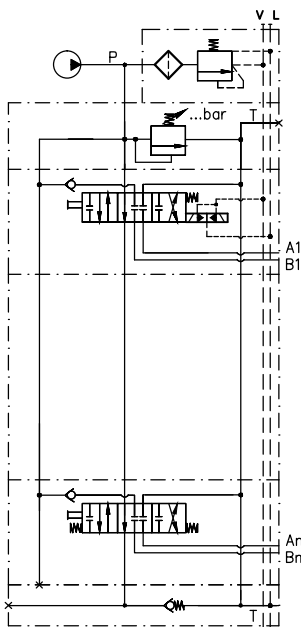


Code	A mm	B mm	C mm	D mm
RP60/2/Q/2x/M60P3SL10-24B/R/1/ 1/2N	114	166	185	158
RP60/3/Q/3x/M60P3SL10-24B/R/1/ 1/2N	154	206	225	198
RP60/4/Q/4x/M60P3SL10-24B/R/1/ 1/2N	194	246	265	238
RP60/5/Q/5x/M60P3SL10-24B/R/1/ 1/2N	234	286	305	278
RP60/2/Q/2x/M60T3SL10-24B/R/1/ 1/2N	114	166	185	158
RP60/3/Q/3x/M60T3SL10-24B/R/1/ 1/2N	154	206	225	198
RP60/4/Q/4x/M60T3SL10-24B/R/1/ 1/2N	194	246	265	238
RP60/5/Q/5x/M60T3SL10-24B/R/1/ 1/2N	234	286	305	278



Scheme - P

Scheme - T



Max. flow rate - 60l/min
 Rated pressure - 320bar
 Pressure control valve setting range - 211...320bar
 Max. backpressure - 30bar

Port threads:
 P, T, A, B - G1/2

Pilot pressure - min. 10bar
 Coil - EMA 50, duty cycle ED 100%
 Voltage - 24V DC